

The image features the 'Nor Sap' logo centered on a background of faint technical drawings. The logo consists of the word 'Nor' in a blue, bold, italicized sans-serif font, followed by 'Sap' in a white, bold, italicized sans-serif font. The 'Nor' is contained within a white rectangular box with a blue border, and the 'Sap' is contained within a solid blue rectangular box. To the right of the 'Sap' box, the letters 'TM' are written in a blue, sans-serif font. The background contains various technical sketches, including a chair, a hand, and architectural floor plans, all rendered in light gray lines.

Nor Sap TM



Top quality from NorSap in Norway.

In NorSap we have focused at high quality products since the company started in 1969.

High quality customer service is also vital to us. We have a wide standard product range, but our inhouse R&D/engineering capacity also mean that we can adapt to specified wishes and requirements from customers.

In this catalogue you can see both our wide product range for helmsman and operator chairs used in all kind of ships, rigs, ROV's etc. and also the products we sell to the pleasure boat industry.

We manufacture and sell from Kristiansand in the very south of Norway, we have an excellent international dealer network and we have active owners who can make quick decisions.

We look forward to be in contact with you or that you have a look at www.norsap.com

Table of contents

Top quality from NorSap in Norway.	2
NorSap 800 Series	4
NorSap 1000 Series	6
NorSap 1500 Series	8
NorSap 1700 Series	10
NorSap 2000 Series	12
NorSap MX System	14
Modular arm rests	16
Basic deck rails	18
Standard deck rails – manually operated	20
Standard deck rails – electrically operated	22
MX Deck Rails - electrically operated	24
Upholstery, embroidery and colors	26
1500 Series Armrest Equipment	28
1000 Series Armrests Equipment	29
Examples of extra equipment	30
Fixed table columns	31
10 reasons to do business with NorSap and our partners	32





NorSap 800 Series

The popular choice of operator chairs.

NorSap 800 series is the lightest chair model from NorSap and a popular choice for smaller operator bases and vessels due to the small space it occupies.

Functions

- Fixed or height adjustable column
- Adjustable footrest, with vertical adjustment
- Extra footrest loop
- Adjustable armrests, tiltable
- Adjustable backrest and seatrest
- Storage net on the backrest
- The foot rest and armrests folds up
- Chair swivels 360°
- Available in fixed seating
- Glide rails provide horizontal adjustment

Optional

- 2 point seat belt
- Heated seat
- Lumbar support
- Additional seat cover
- Deck rail mounting
- Personal upholstery combination and embroidery. See page 26.



More info on the web...



Article number and description

Sitting height measurements

Flanged Chairs (to be mounted on deck or deck rail)

6200	NorSap 800 with gas dampened height adjustable column	70 - 87 cm
6205	NorSap 800 with gas dampened height adjustable column - Delivered with out foot rest front loop	70 - 87 cm
6170	NorSap 800 with gas dampened height adjustable column, no foot rest	50 - 60 cm
6171	NorSap 800 with gas dampened height adjustable column, no foot rest	46 - 56 cm
6100	NorSap 800 with manual height adjustable column	62 - 79 cm
6101	NorSap 800 with fixed height column	87 cm
6110	NorSap 800 fixed seat top, fixed height column	43 cm
6105	NorSap 800 fixed height column, no foot rest	87 cm

5-star legged chair (free-standing office chair, optionally fixed to the deck)

6130	NorSap 800 Office with gas dampened height adjustable column	72 - 89 cm
6150	NorSap 800 Office with gas dam. height adj. column, no foot rest	52 - 62 cm
6140	NorSap 800 Office with fixed column	56 cm
6141	NorSap 800 Office with fixed column, no foot rest	66 cm

Seat tops only (to be mounted on casing)

R-0012	NorSap 800 Seat top only - With glide rails
R-0044	NorSap 800 Fixed seat top only
6465	Adapter plate for mounting the seat top on a flat base

Extra equipment

6283	Additional seatcover in fabric
6284	Additional water repellent seatcover in artificial leather
6461	2 Points seat belt

Deck rail

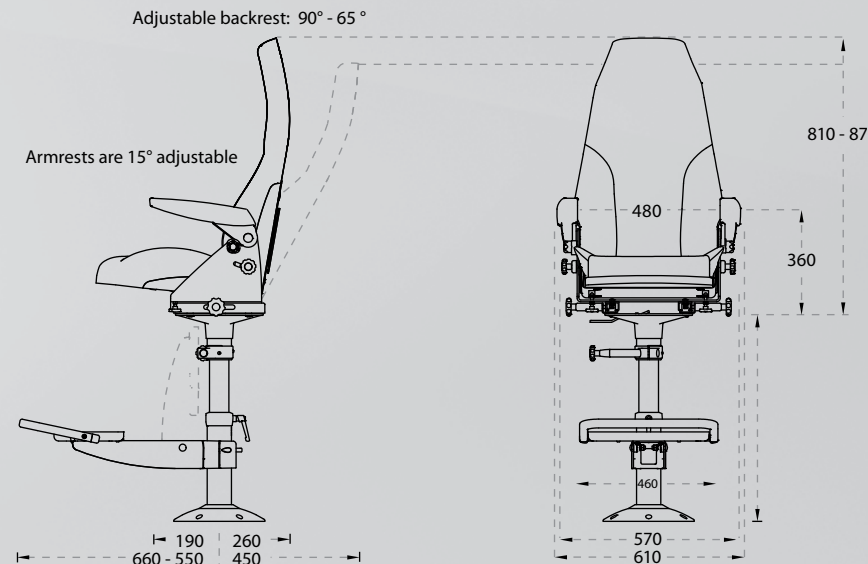
Please see page 18 - 21 for further details.

All sitting heights measures without load - a variation of 2-5 cm may occur depending on the load due to contraction of gas-struts, springs and upholstery. Does not apply the fixed height models. All fixed height columns can be cut to desired sitting height. The / indicates min. max cutting height. If nothing else is agreed, the chair will be delivered with black leather upholstery.



NorSap 800 - Art. No.: 6200

- On a top mounted deck rail Art. No.: 6250-1500UL



Working diameter of the chair folded Ø640. Expanded, Ø1200. Weight 32 Kg.



NorSap 1000 Series

Mounted on a strong Ø100 mm aluminum column.

NorSap 1000 is a solid and comfortable chair with possibilities to integrate controlling equipment in the arm rests. The chair has several adjustable features to ensure comfortable seating.

Functions

- Fixed or height adjustable column
- Adjustable foot rest, with vertical adjustment
- Adjustable armrests, rise/tiltable
- Adjustable backrest and seatrest
- Storage net on the backrest
- The foot rest and armrests folds up
- Chair swivels 360°
- Glide rails provide horizontal adjustment

Optional

- Ability to have equipment fitted in armrest. See page 29.
- 2 or 4 point seatbelt
- Heated seat
- Lumbar support
- Additional seat cover
- Deck rail mounting
- Personal upholstery combination and embroidery. See page 26.



More info on the web...



Article number and description

Sitting height measurements

Flanged mounted chairs (to be mounted on deck or deck rail)

6010 -SO/-HV	NorSap 1000 with gas dampened height adjustable column	69 - 90 cm
6020 -SO/-HV	NorSap 1000 with gas dampened height adjustable column	63 - 77 cm
6000 -SO/-HV	NorSap 1000 with fixed column	88 cm
6005	NorSap 1000 with fixed column, no foot rest	38 cm

Charcoal gray powder coated with structure as standard,
SO after the article number gives black powder coating, **HV** gives white powder coating.

5-star legged chairs (free-standing office chair, optionally fixed to the deck)

6025	NorSap 1000 Office with gas dampened height adjustable column	71 - 92 cm
6027	NorSap 1000 Office with gas dampened height adjustable column	65 - 79 cm
6015	NorSap 1000 Office with fixed column	80 cm
6016	NorSap 1000 Office with fixed column, no foot rest	40 cm

Suspension column

6028SO	NorSap 1000 seat top with suspension undercarriage - with glide rails	41 - 46 cm
---------------	---	------------

Seat top only

R-0009	NorSap 1000 seat top only - with glide rails	15 cm
---------------	--	-------

Extra equipment for the arm rests

Please see page 29 for a selected overview of the possibilities customizing the armrests

Deck rail

Please see page 18 - 21 for further details.

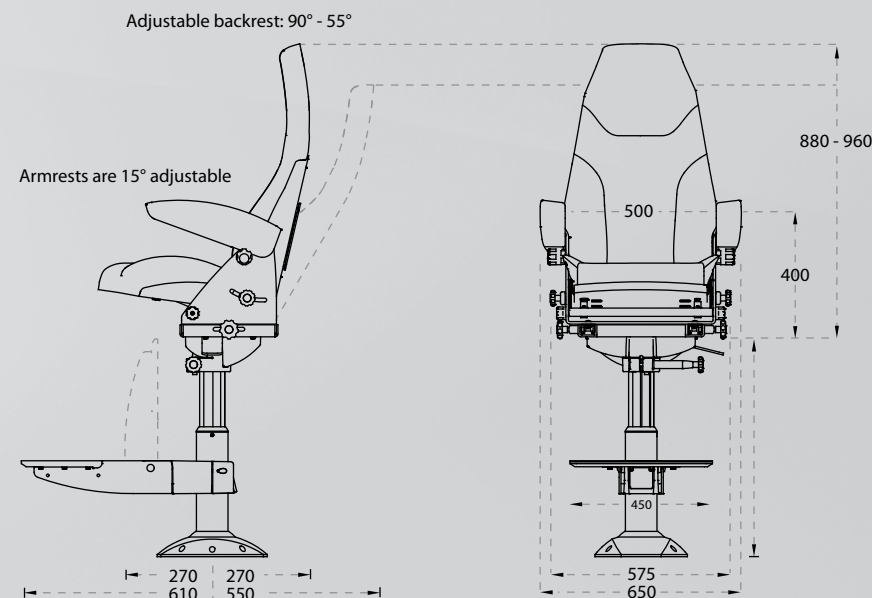
Seat cover

6041	Water repellent seat cover
6050	Fabric seat cover - durable

All sitting heights measures without load - a variation of 2-5 cm may occur depending on the load due to contraction of gas-struts, springs and upholstery. Does not apply the fixed height models. All fixed height columns can be cut to desired sitting height. The / indicates min. max cutting height. If nothing else is agreed, the chair will be delivered with black leather upholstery.



Art. No.: 6028



Working diameter of the chair folded Ø640. Expanded, Ø1200. Weight 40 Kg.



NorSap 1500 Series

The most used and tested chair with excellent seating comfort.

NorSap 1500 is perfect for use in rugged environments where you are in need of high quality and comfortable seating. Possible to integrate controlling equipment in the armrests.

Functions

- Fixed or dampened height adjustable column
- Adjustable foot rest, with vertical adjustment and flip up
- Adjustable armrests, rise and tiltable
- Adjustable backrest and seat
- Storage net on the backrest
- The seat, foot rest and armrests folds up
- Chair swivels 360°
- Glide rails provide horizontal adjustment

Optional

- Ability to have equipment fitted in armrest (page 28.)
- 2 or 4 point seat belt
- Heated seat
- Lumbar support
- Additional seatcover
- Deck rail mounting
- Personal upholstery combination and embroidery. See page 26.



More info on the web...



Article number and description

Flanged based chairs (to be mounted on deck or deck rail)

6500 -SO/-HV	NorSap 1500 with gas dampened adjustable column	72 - 92 cm
6510 -SO/-HV	NorSap 1500 with gas dampened adjustable column	67 - 80 cm
6511	NorSap 1500 with electrically adjustable column	72 - 92 cm
6520 -SO/-HV	NorSap 1500 with gas dampened adjustable column	63 - 73 cm
6400 -SO	NorSap 1500 with fixed column	88 cm
6405	NorSap 1500 with fixed column, no foot rest	41 cm

Sitting height measurements

Charcoal gray powder coated with structure as standard,
SO after the article number gives black powder coating, **HV** gives white powder coating.

5-star legged chairs (free-standing office chair, optionally fixed to the deck - See extra equipment)

6535	NorSap 1500 Office with gas dampened adjustable column	75 - 94 cm
6530	NorSap 1500 Office with gas dampened adjustable column	69 - 82 cm
6525	NorSap 1500 Office with gas dampened adjustable column	65 - 75 cm
6411	NorSap 1500 Office with fixed column	88 cm
6410	NorSap 1500 Office with fixed column, no foot rest	41 cm



NorSap 1500 - space saving when not in use.

Seat top only

R-0010	NorSap 1500 seat top only - with glide rails
6465	Adapter plate for mounting the seat top on a flat base

Extra equipment for the arm rests

Please see page 28 for a selected overview of the possibilities of customizing of the armrests.

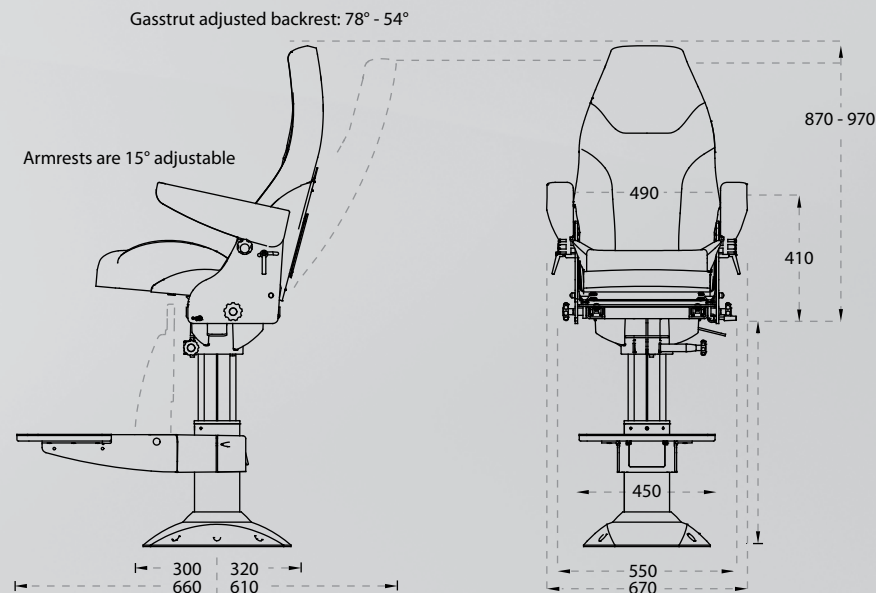
Deck rail

Please see pages 18 - 23 for further details.

Seat covers

6451	Water repellent seat cover
6470	Fabric seat cover - durable

All sitting heights measures without load - a variation of 2-5 cm may occur depending on the load due to contraction of gas-struts, springs and upholstery. Does not apply the fixed height models. All fixed height columns can be cut to desired sitting height. The / indicates min. max cutting height. If nothing else is stated, the chair will be delivered with black leather upholstery.



Working diameter of the chair folded Ø820. Expanded, Ø134. Weight 50 Kg.

NorSap 1700 Series

Same quality and comfort as the NorSap 1500, but with larger armrests.

The two top covers of the armrest fronts are easily adapted as a mounting frame for your required equipment.

Functions

- Dampened height adjustable column
- Adjustable footrest, with vertical adjustment and flip up
- Adjustable arm rests, rise and tiltable
- Adjustable backrest and seat
- Storage net on the backrest
- The seat, foot rest and armrests folds up
- Chair swivels 360°*

Optional

- Ability to have equipment fitted in armrest
- 2 or 4 point seat belt
- Heated seat
- Lumbar support
- Additional seatcover
- Deck rail mounting
- Personal upholstery combination and embroidery. See page 26.
- Junction box for cables at rear



More info on the web...



Article number and description

Article number	Description	Sitting height measurements
6700	NorSap 1700 with gas dampened height adjustable column	72 - 90 cm
6710	NorSap 1700 with gas dampened height adjustable column	67 - 80 cm
6720	NorSap 1700 with gas dampened height adjustable column	63 - 73 cm
6730	NorSap 1700 with fixed height column	88 cm
6725	NorSap 1700 with fixed height column, no foot rest	41 cm

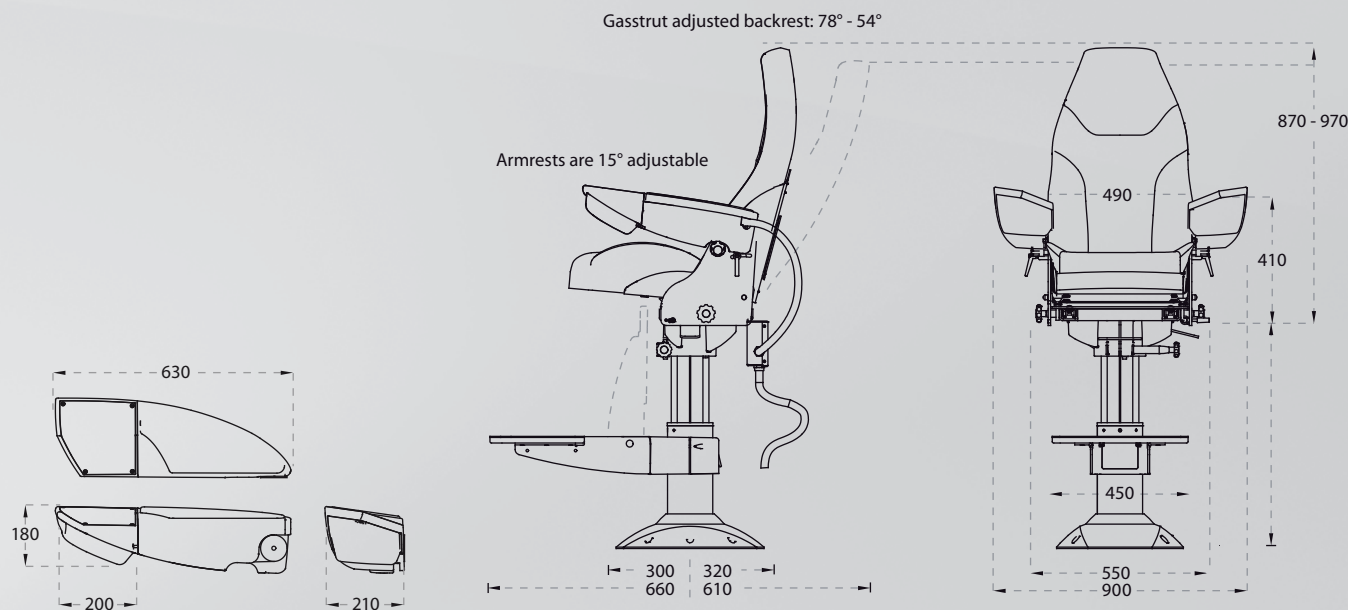
Extra equipment

6474	Additional seat cover in fabric, no arm rest cover
6475	Additional water repellent seat cover in artificial leather, no arm rest cover

Deck rail

Please see pages 20 - 23 for further details.

All sitting heights measures without load - a variation of 2-5 cm may occur depending on the load due to contraction of gas-struts, springs and upholstery. Does not apply the fixed height models. All fixed height columns can be cut to desired sitting height. The / indicates min. max cutting height. If nothing else is agreed, the chair will be delivered with black leather upholstery.





NorSap 2000 Series

A modern looking helmsman chair.

NorSap 2000 combines a modern design with the most possibilities for seating adjustments. The chair provides very comfortable seating and gives an exclusive touch in a high-end bridge arrangement.

Functions

- Dampened height adjustable column
- Adjustable foot rest, with vertical adjustment and flip up
- Adjustable arm rests, back/forward, up/down & tilt
- Adjustable back rest and seat
- Back rest can be put in an almost horizontal position
- Chair swirl is mounted on a ball bearing plate and swivels 360°

Optional

- Ability to have equipment fitted in armrest
- 2 or 4 point seat belt
- Heated seat
- Lumbar support
- Deck rail mounting
- Personal upholstery combination and embroidery
- The foot rest is as standard fixed to seating frame. Alternatively it can be fixed to the column



More info on the web...



Article number and description

Sitting height measurements

NorSap 2000 - Standard NorSap charcoal gray colored flanged chairs	
6630	NorSap 2000 with gas dampened height adjustable column 63 - 83 cm
6631	NorSap 2000 with electrical adjustment 63 - 83 cm
6632	NorSap 2000 with gas dampened height adjustable column 73 - 92 cm
6633	NorSap 2000 with electrical adjustment 73 - 92 cm
6634	NorSap 2000 with electrical adjustment, no foot rest 43 - 52 cm
6635	NorSap 2000 with gas dampened height adj. column, no foot rest 43 - 50 cm
R-0080	NorSap 2000 seat top only

NorSap 2000 Yacht - Black powder coated/laquered flanged chars

6640	NorSap 2000 Yacht with gas dampened height adjustable column 63 - 83 cm
6641	NorSap 2000 Yacht with electrical adjustment 63 - 83 cm
6642	NorSap 2000 Yacht with gas dampened height adjustable column 73 - 92 cm
6643	NorSap 2000 Yacht with electrical adjustment 73 - 92 cm

NorSap 2000 - 5-star Legged Office Chairs

6644	NorSap 2000 Office gas dampened height adjustable column 65 - 85 cm
6645	NorSap 2000 Office gas dampened height adjustable column 75 - 94 cm
6646	NorSap 2000 Office gas damp. height adj. column, no foot rest 45 - 54 cm

Extra equipment

The NorSap 2000 can use some of the armrest equipment as the NorSap 1500, see page 28

Deck rail

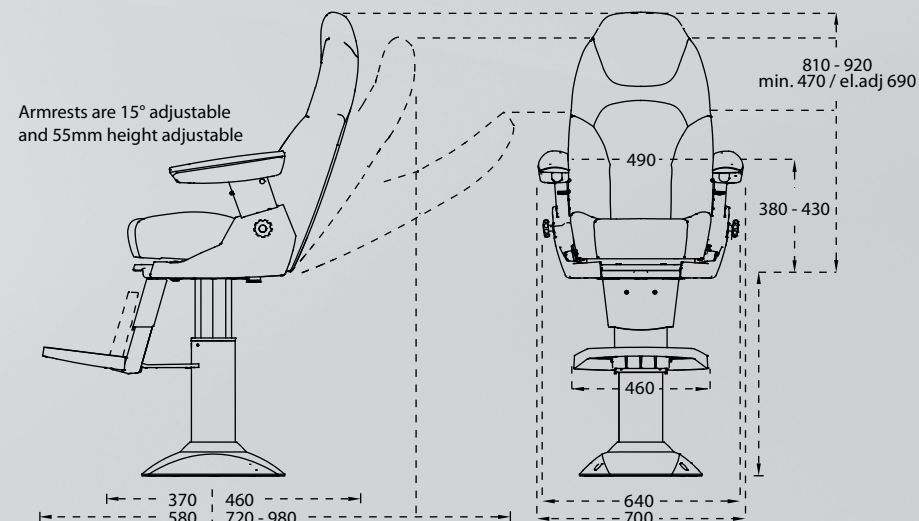
Please see pages 18 - 23 for further details.

All sitting heights measures without load - a variation of 2-5 cm may occur depending on the load due to contraction of gas-struts, springs and upholstery. Does not apply the fixed height models. All fixed height columns can be cut to desired sitting height. The / indicates min. max cutting height. If nothing else is agreed, the chair will be delivered with black leather upholstery.



Art. No.: 6632

Gasstrut adjusted backrest: 77° - 51° - (22° not suitable for use)
Electrical adjusted backrest: 77° - 51°



Working diameter of the chair folded Ø790.
Expanded, with the backrest all the way down Ø1480.
Weight 70 Kg.

NorSap MX System

A modular based platform which results in a variety of combination possibilities.

- System is based on interchangeable modules that can be combined to suit your requirements.
- Thoroughly tested mechanical solutions.
- Easy access to installed equipment.
- Developed to fulfil the requirements of maritime standards of operator chairs. Focusing on ergonomics, line of sight, security, function and mechanical durability.
- Electrical and manual adjustment of the seat and other parts affecting the operator. Individual adjustment to meet the strongest demands of ergonomics for the operator.



More info on the web...





Options

- Electrically or manually turn, or no turn at all.
- Electrically rise and lower of the chairs column, or fixed height.
- Electrically or manually rise and lower of foot rest, or no foot rest.
- Standard, glass infused or a wider foot rest plate, with or without foot switches.
- Electrically adjustment of the seat and other parts affected by the operator.
- Custom built frame casing and armrest.
- Additional monitor, keyboard or customer specified instrument holders.
- Integrated control panel for adjusting the chairs electrical functions.

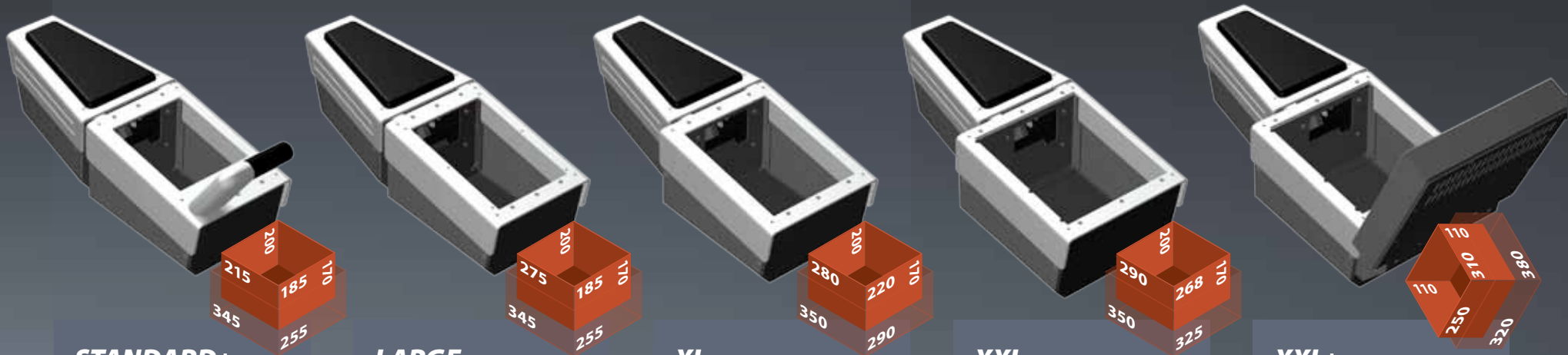


Modular armrests

The armrest front can either be based on previously developed solutions by NorSap or your own specified design.

The armrests below are some of the solutions already developed. Only the cover lid needs modification to suit your equipment. The lid is manufactured in 3 mm aluminum. Cut-outs for dials, buttons, joystick and thrusters are easily done.

The back part of the modular armrests contains also a fold out note pad table combined with a cup holder. For more alternatives for the back part, please visit norsap.com. The front parts of the modular armrests are angle adjustable - combined with the eight way adjustable seat this ensures an optimal ergonomically working environment.



STANDARD+

DEL-3707H - Right
DEL-3707V - Left

*Does not include back-part (DEL-3677H or V)

LARGE

DEL-3678H - Right
DEL-3678V - Left

*Does not include back-part (DEL-3677H or V)

XL

DEL-3826 - Right
DEL-3827 - Left

*Does not include back-part (DEL-3677H or V)

XXL

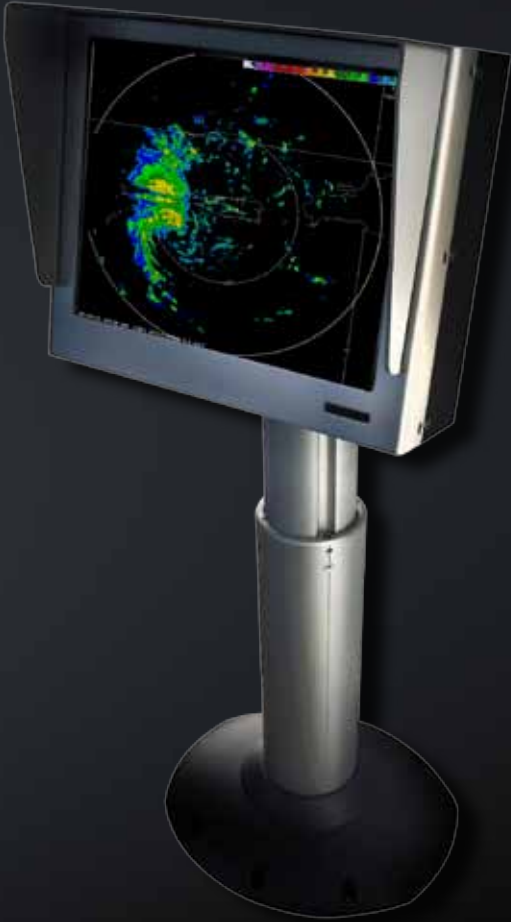
DEL-3706H - Right
DEL-3706V - Left

*Does not include back-part (DEL-3677H or V)

XXL+

DEL-3706H + DEL-3844
DEL-3706V + DEL-3844

*Does not include back-part (DEL-3677H or V)



Bridge components

NorSap offers bridge components like monitordesk and overhead display. Manufactured in aluminium and with black powdercoating. Easy access to equipment in the base and a keyboard holder in each compartment.

- Ergonomic design.
- Alternative flush mounting of equipment.
- Passive ventilation.
- Made in aluminum with stainless steel fasteners.
- Excellent service access to base and top module during and after installation.
- Easy installation on bridge. Available flat packed or assembled.
- Ruggedized to meet harsh marine environments.
- 3D Views provided for approval prior to final fabrication.

Workspace ergonomics:

- Screens positioned and angled for user comfort.
- Table height columns available in standing, seated and electric sit / stand versions.

For segments:

Navigation, Communication, Safety and ship operation, Navy, Engine control room, Cargo control room, Simulators, Hospitals, Cabins.





Basic deck rails

Smart deck rails with low height and an elegant design which gives credit to the existing deck. Still at a favourable cost.

- Easy to fit
- Comes with release handle to be mounted on seat top.
- Concealed wiring (does not apply to the NorSap 800 chairs)
- Can be delivered in customized lengths
- Can be combined with two carriage wagons
- Manufactured in combination of stainless steel and aluminium.
- For rougher use we recommend the Standard deck rails.

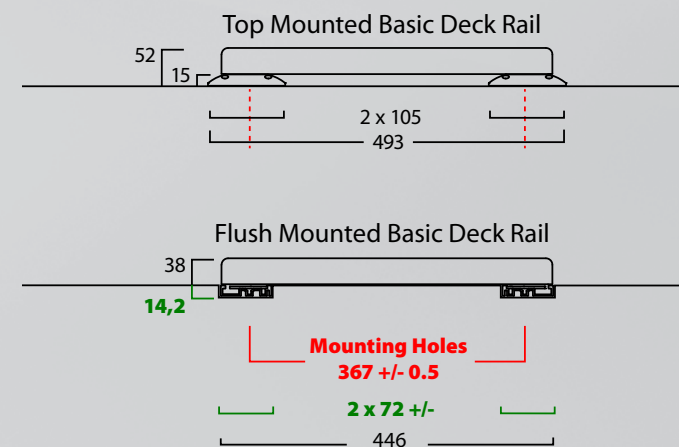
More info on the web...



NorSap 1500 on top mounted Basic deck rails.
Photo by P.O. Dybvik



Article numbers	Description
6676-1000	1000 mm long top mounted Basic Deck Rail for the NorSap 800 series
6676-1500	1500 mm
6676-2000	2000 mm
6676-2500	2500 mm
6676-3000	3000 mm
6677-1000	1000 mm long flush mounted Basic Deck Rail for the NorSap 800 series
6677-1500	1500 mm
6677-2000	2000 mm
6677-2500	2500 mm
6677-3000	3000 mm
6652-1000	1000 mm long top mounted Basic Deck Rail for the NorSap 1000 series
6652-1500	1500 mm
6652-2000	2000 mm
6652-2500	2500 mm
6652-3000	3000 mm
6653-1000	1000 mm long flush mounted Basic Deck Rail for the NorSap 1000 series
6653-1500	1500 mm
6653-2000	2000 mm
6653-2500	2500 mm
6653-3000	3000 mm
6650-1000	1000 mm long top mounted Basic Deck Rail for the NorSap 1500 and 2000 series
6650-1500	1500 mm
6650-2000	2000 mm
6650-2500	2500 mm
6650-3000	3000 mm
6651-1000	1000 mm long flush mounted Basic Deck Rail for the NorSap 1500 and 2000 series
6651-1500	1500 mm
6651-2000	2000 mm
6651-2500	2500 mm
6651-3000	3000 mm



BLACK = physical measurements of the product
 RED = recommended mounting measures
 GREEN = recommended measures of the cut out of the deck when flush option.
 All measurements in MM.

Standard deck rails – manually operated

High quality deck rails designed for all kind of environments.
Can be released and locked from sitting position.



More info on the web...



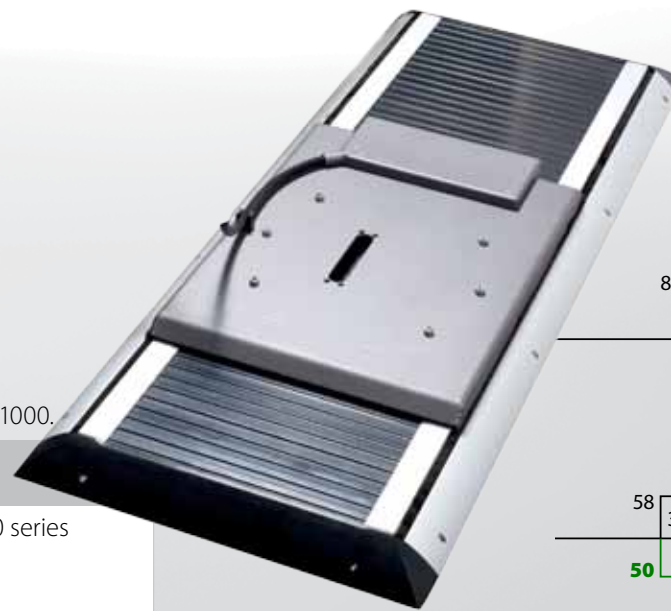
NorSap 1500 on flush mounted deck rails.
Photo by P.O. Dybvik

Flush and topmounted
versions of the narrow deck rails.

Stable and solid deck rails

- Manufactured of anodized aluminium with rubber coated center plate
- Comes with release handle to be mounted on seat top
- Top mounted or flush implementation in deck.
- Can be delivered in customized lengths
- Can be combined with two carriage wagons

The wide electrically deckrails fits the following models NorSap 1500, 1700, 2000, 2500, 3500 and MX series, the narrow version is for the NorSap 800 and 1000.



Article number and Description

6250-1100UL 1100 mm long top mounted *narrow* Deck Rail for the 800/1000 series
6250-1500UL 1500 mm
6250-2000UL 2000 mm
6250-2500UL 2500 mm
6250-3000UL 3000 mm

6251-1000UL 1100 mm long flush mounted *narrow* Deck Rail for the 800/1000 series
6251-1500UL 1500 mm
6251-2000UL 2000 mm
6251-2500UL 2500 mm
6251-3000UL 3000 mm

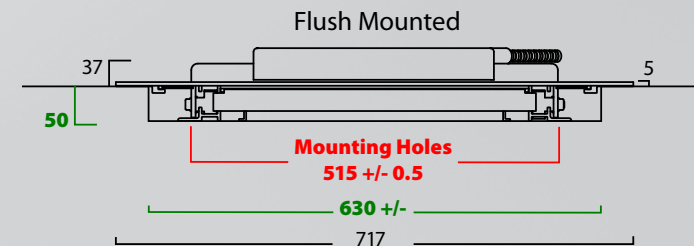
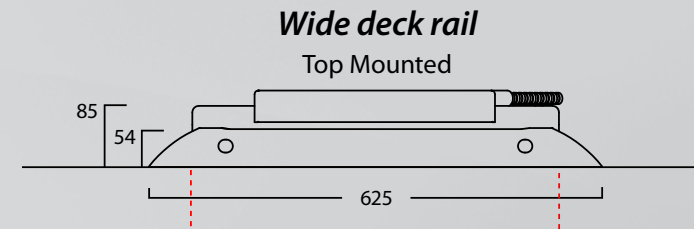
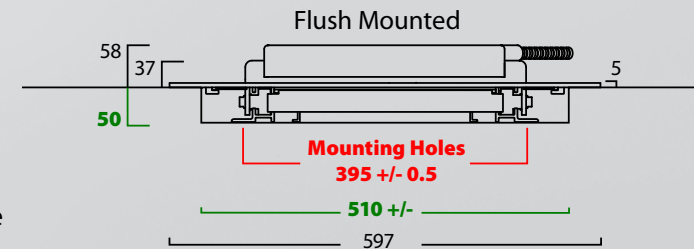
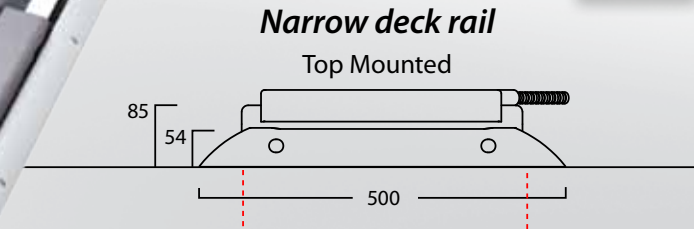
6350-1100UL 1100 mm long top mounted *wide* Deck Rail
6350-1500UL 1500 mm
6350-2000UL 2000 mm
6350-2500UL 2500 mm
6350-3000UL 3000 mm

6351-1100UL 1100 mm long flush mounted *wide* Deck Rail
6351-1500UL 1500 mm
6351-2000UL 2000 mm
6351-2500UL 2500 mm
6351-3000UL 3000 mm

6354-1100UL 1100 mm long top mounted *wide* Deck Rail with slot and cable conveyer
6354-1500UL 1500 mm
6354-2000UL 2000 mm
6354-2500UL 2500 mm
6354-3000UL 3000 mm

6355-1100UL 1100 mm long flush mounted *wide* Deck Rail with slot and cable conveyer
6355-1500UL 1500 mm
6355-2000UL 2000 mm
6355-2500UL 2500 mm
6355-3000UL 3000 mm

Wide top mounted deck rail
 – With manual release handle from seated position.



BLACK = physical measurements of the product
 RED = recommended mounting measures
 GREEN = recommended measures of the cut out of the deck when flush option.
 All measurements in MM.

Standard deck rails – electrically operated

High quality deck rails designed for all kind of environments. An electrically operated deck rail increases the comfort and has integrated cable guiding.



More info on the web...



NorSap 2500 on top mounted electrically driven deckrails with slot for cables. Photo courtesy of MT.

Comfortable base adjustment

- Manufactured of anodized aluminium with rubber coated center plate
- Easy to fit
- Has a slot for cables in the center of the deck rail
- Optionally delivered with flexible cable channel for additional cables

Electrically driven deck rails - adjust your chairs position without having to leave the seat.

The wide electrically deck rails fits the following models NorSap 1500, 1700, 2000, 2500, 3500 and CIS series only.

For the electrical operated deck rail a power supply of 24V 20A DC is required, not included.

One power supply per traverse engine is required. Art. No.: 6910 - 24V Universal AC input / Full range (115V/230V)

Article number and Description

6670-1100UL 1100 mm long top mounted electrically driven wide deck rail for the NorSap series with conveyer for cables
6670-1500UL 1500 mm
6670-2000UL 2000 mm
6670-2500UL 2500 mm
6670-3000UL 3000 mm

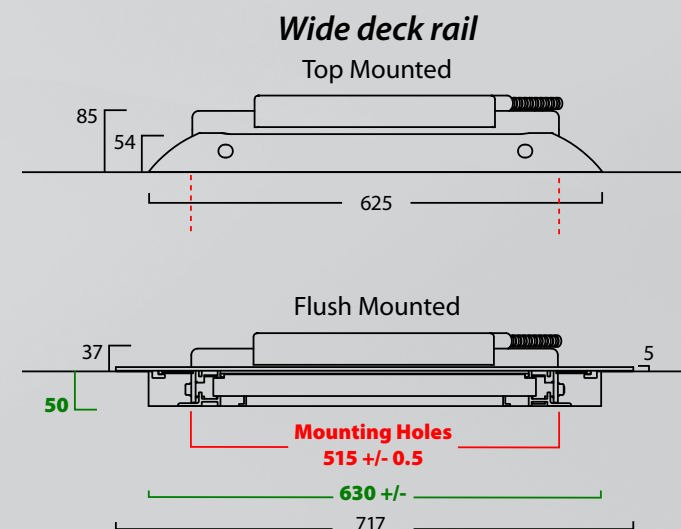
6671-1100UL 1100 mm long flush mounted electrically driven wide deck rail for the NorSap series with conveyer for cables
6671-1500UL 1500 mm
6671-2000UL 2000 mm
6671-2500UL 2500 mm
6671-3000UL 3000 mm

6672-1100UL 1100 mm long top mounted electrically driven wide deck rail for the NorSap series without conveyer
6672-1500UL 1500 mm
6672-2000UL 2000 mm
6672-2500UL 2500 mm
6672-3000UL 3000 mm

6673-1100UL 1100 mm long flush mounted electrically driven wide deck rail for the NorSap series without conveyer
6673-1500UL 1500 mm
6673-2000UL 2000 mm
6673-2500UL 2500 mm
6673-3000UL 3000 mm

For electrically operated deck rails an additional power supply of 24V 20A DC is required, not included.

6910 24V Universal AC input / Full range (115V/230V)



BLACK = physical measurements of the product
 RED = recommended mounting measures
 GREEN = recommended measures of the cut out of the deck when flush option.
 All measurements in MM.

MX Deck Rails - electrically operated



High quality deck rails designed for all kind of environments. An electrically operated deck rail increases the comfort and has integrated cable guiding. MX deck rails have more space to allow a larger number of cables.

More info on the web...





Heavy equipped

- Manufactured of anodized aluminium with a center slot for cables
- Electrically operated
- Large space for cables

The deck rails are fitted with electrical adjustment, slot and conveyer for cables. Deck rails for the NorSap 2500 and 3500 series are not suitable for manual travel due to the larger chair models. The deck rails is controlled thru a control panel in the chairs armrest. Alternatively the control of the deck rail can be integrated in the customers PLS system or other custom controlling equipment.

The deep MX electrical deck rails fits the following models
NorSap 2500, 3500 and MX series only.

Article number and Description

6675-1500	1500 mm electrically driven MX deck rail
6675-2000	2000 mm
6675-2500	2500 mm
6675-3000	3000 mm

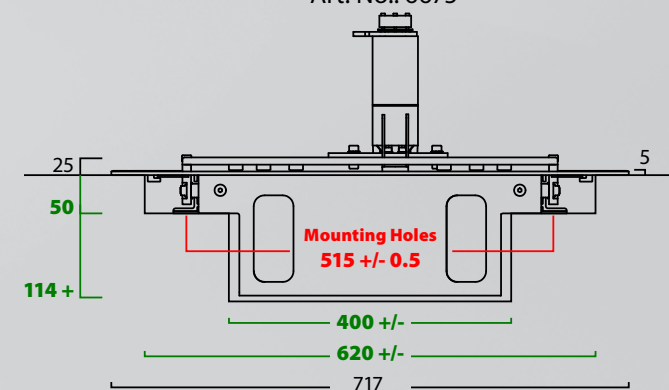
For electrically operated deck rails an additional power supply of 24V 20A DC is required, not included.

6910 24V Universal AC input / Full range (115V/230V)

MX deck rail

Flush mounted MX Deck Rail

Art. No.: 6675



BLACK = physical measurements of the product

RED = recommended mounting measures

GREEN = recommended measures of the cut out of the deck when flush option.

All measurements in MM.

Upholstery, embroidery and colors

You may choose from our standard colors and upholstery combinations
You may also choose which color the contrast seam is sewn in,
giving you the possibility to personalize the look of the chair.

NorSap operates with standard leather, velour and fabric colors.
All materials suited for the maritime working environment.

Leather / Perforated Leather

Recommended for normal use. Flame retardant.
Perforated leather has article no.: 6011 (center field only)

Velour

In excess of 50 000 cycles Martindale.
Recommended for hard use. Flame retardant.

Fabric

In excess of 500 000 cycles Martindale.
Recommended for extreme use.



Standard leather colors



Standard fabric colors



Standard velour colors



(Printed colors may differ from actual color)

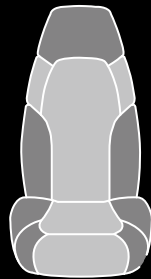
NorSap 3500 Pillow Pattern

Pattern A

Pattern B

Pattern C

Pattern D



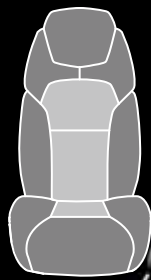
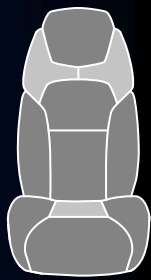
NorSap 2000 Pillow Pattern

Pattern A

Pattern B

Pattern C

Pattern D

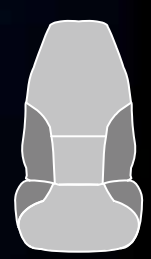
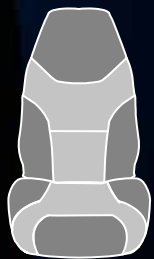
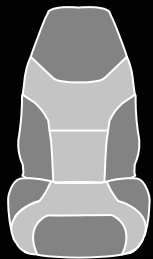


NorSap 800/1000/1500/1700/2500 Pillow Pattern

1500/1700/2500

1000

800



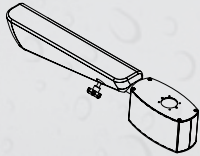
The illustration shows what areas that are selectable. Only the NorSap 2000 and NorSap 3500 chairs has more than one pattern combination.

When ordering upholstery for the 3500 or 2000, please refer to the A, B, C or D pattern.

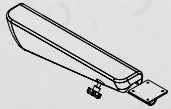
If nothing else is agreed the chair will be delivered all in black leather.



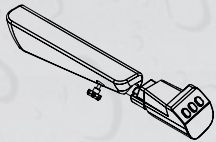
1500 Series Armrest Equipment



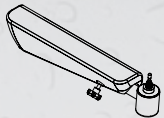
5901H (right) / 5901V (left)
Armrest with casing for Kamewa joystick. **Joystick not supplied*



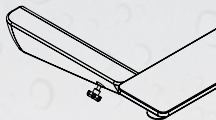
5902H (right) / 5902V (left)
Armrest with plate for mouse trackball. (Holes: 55 x 55 mm). **Joystick not supplied*



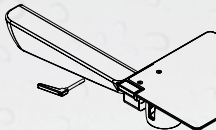
5903H (right) / 5903V (left)
Armrest with fittings for trackball from Kelvin Hughes. **Joystick not supplied*



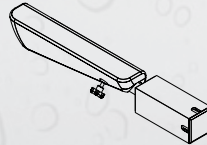
5904H (right) / 5904V (left)
Armrest with casing Ø60 mm for small joystick. **Joystick not supplied*



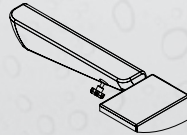
5905
Armrest with fittings for removable and adjustable keyboard table. Complete set (two arm rests)



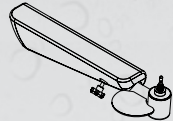
6803H
Right hand note pad board. Flips up and away when not in use. To be combined with i.e. a cup holder (6801) as shown on illustration.



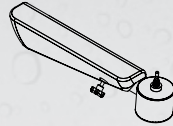
5906H (right) / 5906V (left)
Armrest with casing for four (4) mouse trackballs. **Joystick not supplied*



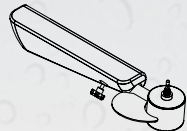
5907H (right) / 5907V (left) W=200 mm
5912H (right) / 5912V (left) W=250 mm
Armrest fitting for combining mouse trackball and joystick. **Joystick not supplied*



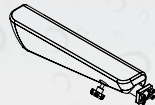
5908H (right) / 5908V (left)
Armrest with casing Ø60 for small joystick and mouse trackball pad. **Joystick not supplied*



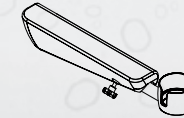
5909H (right) / 5909V (left)
Armrest with casing Ø100 mm for joystick. **Joystick not supplied*



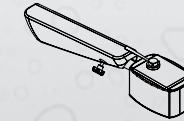
5910H (right) / 5910V (left)
Armrest with casing Ø100 for joystick and mouse trackball pad. **Joystick not supplied*



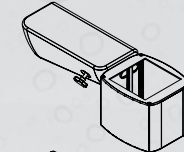
5911H (right) / 5911V (left)
Armrest with mounting block. (Holes: 34,6 x 20 mm)



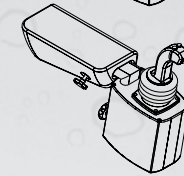
6801H (right) / 6801V (left)
A cup holder (Ø90 mm). **coffee not supplied*



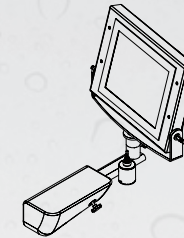
5955H (right) / 5955V (left)
ECO 600 Joystick holder **joystick not supplied*



5950H (right) / 5950V (left)
Extra wide arm rest with 135 x 135 mm holder. **Joystick not supplied*

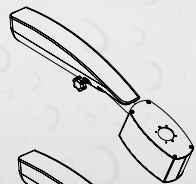


5954H (right) / 5954V (left)
Extra wide arm rest with height adjustable controller box. 180 x 140 x 190 mm. **Joystick not supplied*

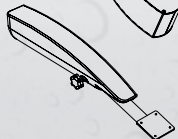


5952H (right) / 5952V (left)
Extra wide arm rest with monitor holder combined Ø60 joystick holder. **Joystick not supplied*

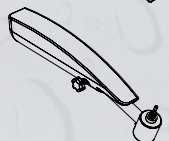
1000 Series Armrests Equipment



5801H (right) / 5801V (left)
 Armrest with casing for Kamewa joystick.
**Joystick not supplied*



5802H (right) / 5802V (left)
 Armrest with plate for mouse trackball.



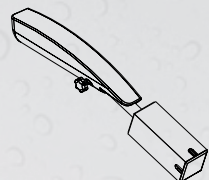
5804H (right) / 5804V (left)
 Armrest with casing Ø60 for small joystick.
**Joystick not supplied*



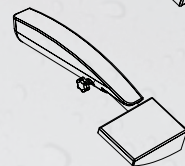
5805 (both armrests)
 Armrests with fittings for adjustable keyboard table.



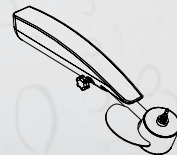
6803H
 Right hand note pad board.
 To be combined with i.e. a cup holder (5813H/V). Can also be a stand alone arm rest.



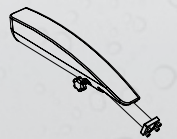
5809H (right) / 5809V (left)
 Armrest with casing for four (4) mouse trackballs.



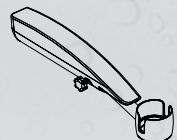
5810H(right)/5810V(left)W=200 mm
5811H(right)/5811V(left)W=250 mm
 Armrest fitting for combining mouse trackball and joystick. W=width



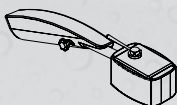
5808H (right) / 5808V (left)
 Armrest with casing Ø100 for joystick and mouse trackball pad.



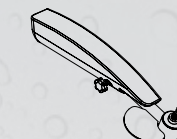
5807H (right) / 5807V (left)
 Armrest with casing Ø100 for joystick *as shown but without trackball pad.* **Joystick not supplied*



5812H (right) / 5812V (left)
 Armrest with mounting block.
 (Holes: 35 x 20 mm)



5813H (right) / 5813V (left)
 A cup holder.



5816H (right) / 5816V (left)
 ECO 600 Joystick holder
**joystick not supplied*

5806H (right) / 5806V (left)
 Armrest with casing Ø60 for small joystick and mouse trackball pad.
**Joystick not supplied*



Mount your Office chair



R-0073 Fix-it set for the 5-star legged Office chairs from NorSap.

The **2080** flange is mounted on the floor, and a locking mechanism makes the chair fixed to a position. Multiple flanges can be used. The chair is fixed in two easy steps, push and twist. And its loosened in the same simple way.



Use your QR reader to launch the chair-builder.

Requires Adobe Flash supported device.



Visit **norsap.com/chairs**
 Try out the interactive chair builder.

– You may choose from a complete list of chairs and extra equipment. Columns and deck rails vividly displayed interactively for your convenient.

Examples of extra equipment

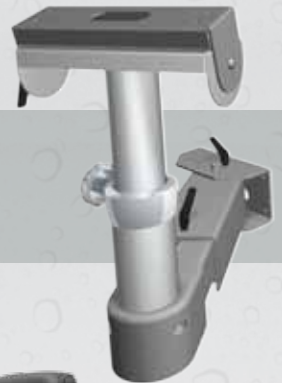


Additional Seat Covers

NorSap 1000 chairs seat covers
6041 Seat Cover Water Repellent
6050 Seat Cover Fabric
 NorSap 1500 chairs seat covers
6451 Seat Cover Water-Repellent
6470 Seat Cover Fabric

Monitor Holder

6664V(left) / **6664H** (right) T=200 mm
6665V(left) / **6665H** (right) T=250 mm
 Adjustable monitor arm. Lower/rise, back/forth left/right and tilt possibilities. **T** equals the horizontal length adjust ability.



Monitor Holder

6668 / **6669**
 A height, angle and distance adjustable monitor holder with VESA mounting.



Communication

Integrated loud-speaker and microphone in the headrest.



6487 Microphone
6486 Loudspeaker 8 Ω
6489 Microphone mounting bracket

6905 Document holder, to be mounted on the back of the back rest.
6800 Binoculars Holder, to be mounted on the back of the back rest.
R-0077 Wheel set for 5 star legged chairs.



Seat Belts

6460 4 Point Seat Belt
6461 2 Point Seat Belt

Foot Rest

6340 Foot Rest Loop NS1500
6030 Foot Rest Loop NS1000

Foot Rest for Shuttle service boats

6215 Double Foot Rest (1500/2000 series) Ø150 mm.
6214 Double Foot Rest (1000 series) Ø100 mm.
6209 Double Foot Rest (800 series) Ø80 mm.



*not suitable on all models.

Fixed table columns

Fixed table columns with 300mm diameter base and top flange offer strength and stability at a low weight. Anodized tube with standard white base and top flanges, or polished aluminum tube with mirror polished base.

Article Number and Description / Color/Material

7020	Ø80 mm column, Ø300 mm flange / Grey powder coated aluminium flange
7020BL	Ø80 mm column, Ø300 mm flange / Chrome stainless steel covered aluminium flange, polished aluminum tube
7020SI	Ø80 mm column, Ø300 mm flange / Silver lacquered aluminium flange
7020SM	Ø80 mm column, Ø230 mm flange / Grey powder coated smaller aluminium flange
7025	Ø65 mm column, Ø300 mm flange / Grey powder coated aluminium flange
7025BL	Ø65 mm column, Ø300 mm flange / Chrome stainless steel coated aluminium flange, polished aluminum tube
7030	Ø65 mm column, Ø230 mm flange / Grey powder coated smaller aluminium flange
7030SI	Ø65 mm column, Ø230 mm flange / Silver lacquered smaller aluminium flange

State desired height from deck to top of upper flange when ordering. If nothing is stated, it will be delivered as standard 700 mm



BL - Chrome stainless steel covered aluminium base (Ø300)



SH - White lacquered aluminium base (Ø300)



Silver lacquered small aluminium base (Ø230)



Use your QR reader to download the brochure in PDF



NorSap has a second brochure containing products for the pleasure boat and smaller boat market. You might find other solutions for your vessel.

10 reasons to do business with NorSap and our partners

NorSap has over 40 years of experience in the marine market, is economically solid and because of this we can be a long term partner.

NorSap has increased the focus and resources related to product development to keep up the market leader position for helmsman chairs.

The owners of NorSap have a long term view of the ownership and are willing to do necessary investments to keep up the no. 1 position.

NorSap is not bureaucratic and the owners are active in the daily business so that fast decisions can be made when necessary.

In NorSap we produce a lot of the parts ourselves, have a highly skilled working force and have long experience. All mounting is done at NorSap. Totally this gives confidence that the supplied products are of excellent quality.

NorSap has a construction department which makes it possible in short time to customize solutions when this is needed.

NorSap has advanced machinery for prototype production so that you as a customer can see a vital part "live" when this is needed.

NorSap has very limited problems with sold products, but if so; these are handled fast and professional to help the end user in a best possible way.

Excellent international dealer network.

Totally we like to think that this means we are a high quality supplier you believe in and want to have a long term relation to.

Authorized dealer

February 11, 2014 12:41 PM - EL - NORSAP AS

Download a PDF
of this brochure.

